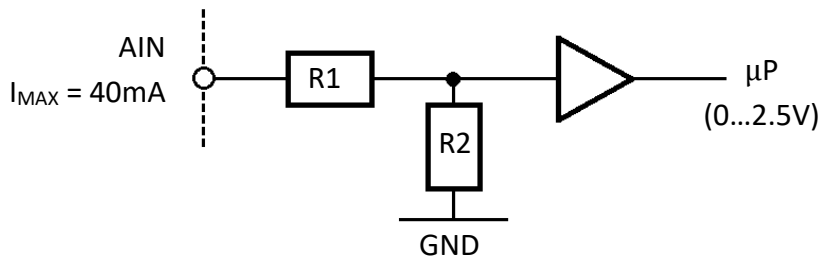


Titel: Exx Analog Input Type 1

1. Pin Assignment:

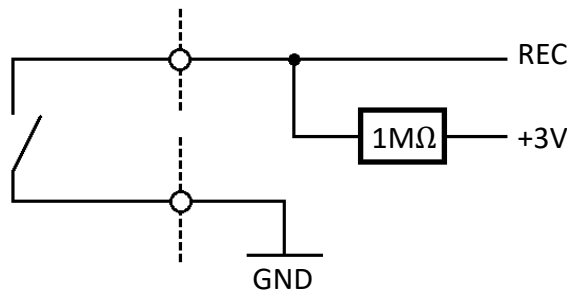
- ▶ A1 YELLOW
- ▶ A2 GREEN
- ▶ REC BLACK
- ▶ ALARM WHITE
- ▶ GND BLUE

2. A1, A2 : Analog – Input

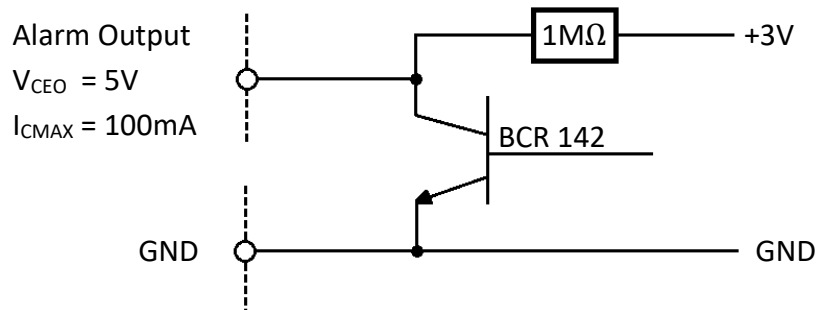


Input	Order	R1	R2
0 ... 20mA	E1	0Ω	120Ω
4 ... 20mA	E2	0Ω	120Ω
0 ... 3V	E3	215kΩ	1MΩ
0 ... 5V	E4	510kΩ	470kΩ
0 ... 10V	E5	820kΩ	255kΩ
0 ... 12V	E6	820kΩ	205kΩ
0 ... 24V	E7	1MΩ	110kΩ

3. REC: Record start/stop



4. ALARM: Alarm Output



5. GND: Ground